



(12) **United States Design Patent**  
**Lawson et al.**

(10) **Patent No.:** **US D636,950 S**  
(45) **Date of Patent:** **\*\* Apr. 26, 2011**

- (54) **CAT LITTER PAN**
- (75) Inventors: **Thomas Michael Lawson**, Rogers, AR (US); **Erin Elizabeth McCracken**, Bentonville, AR (US); **Christopher Eugene Chance**, Bella Vista, AR (US)
- (73) Assignee: **Stout Stuff, LLC**, Bentonville, AR (US)
- (\*\*) Term: **14 Years**

D420,855 S \* 2/2000 Hurley ..... D7/555  
 6,223,688 B1 5/2001 Engel  
 D455,239 S 4/2002 McLaughlin  
 6,401,660 B1 6/2002 Wolff  
 6,471,084 B2 \* 10/2002 Erb ..... 220/575  
 D502,576 S 3/2005 Miller et al.  
 D513,817 S 1/2006 Miller et al.  
 D526,748 S 8/2006 Van Skiver  
 D528,252 S 9/2006 Van Skiver et al.  
 7,150,242 B2 12/2006 Schuster et al.  
 (Continued)

- (21) Appl. No.: **29/364,908**
- (22) Filed: **Jun. 30, 2010**
- (51) **LOC (9) Cl.** ..... **30-99**
- (52) **U.S. Cl.** ..... **D30/161; D7/553.1; D7/555; D32/53.1**
- (58) **Field of Classification Search** ..... **D30/161; 119/161, 163-170; D3/304, 313-315; D6/525; D7/553.555, 630, 708; D32/37, 53, 53.1, D32/55; 206/519; 220/500, 553, 575, 623**  
See application file for complete search history.

FOREIGN PATENT DOCUMENTS  
 WO WO2009024793 2/2009  
*Primary Examiner* — Cathy Anne MacCormac  
 (74) *Attorney, Agent, or Firm* — Larkin Hoffman Daly & Lindgren Ltd.; Thomas J. Oppold

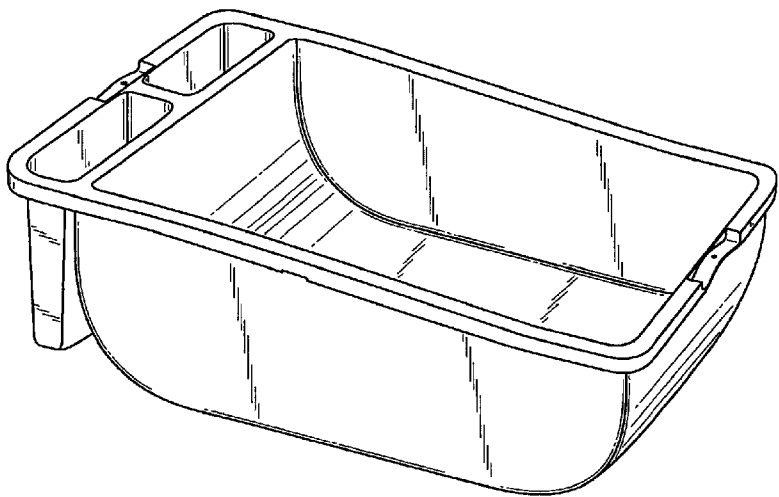
(57) **CLAIM**  
 The ornamental design of a cat litter pan, as shown and described.

- (56) **References Cited**
- U.S. PATENT DOCUMENTS
- D185,899 S \* 8/1959 Bernhardt ..... D32/55
  - 3,111,932 A \* 11/1963 Knutson ..... 119/165
  - 3,310,031 A 3/1967 Lowe, Jr.
  - 4,024,590 A \* 5/1977 Wendt ..... 220/23.4
  - D274,757 S 7/1984 Beaty, Sr.
  - 4,505,226 A 3/1985 Carlson
  - 4,766,845 A 8/1988 Bavas
  - D300,965 S 5/1989 Conner
  - D300,966 S 5/1989 Conner
  - D300,967 S 5/1989 Conner
  - D300,968 S 5/1989 Conner
  - 5,111,951 A \* 5/1992 Breen et al. .... 220/23.4
  - 5,272,999 A \* 12/1993 Nussle ..... 119/166
  - 5,402,751 A 4/1995 De La Chevrotiere
  - D388,560 S 12/1997 Savicki
  - D397,833 S \* 9/1998 Adams Zurawin ..... D32/53.1

**DESCRIPTION**

FIG. 1 is a front perspective view of the cat litter pan of the present design.  
 FIG. 2 is a front elevation view of the cat litter pan of FIG. 1.  
 FIG. 3 is a rear elevation view of the cat litter pan of FIG. 1.  
 FIG. 4 is a left side elevation view of the cat litter pan of FIG. 1.  
 FIG. 5 is a right side elevation view of the cat litter pan of FIG. 1.  
 FIG. 6 is a top plan view of the cat litter pan of FIG. 1; and, FIG. 7 is a bottom plan view of the cat litter pan of FIG. 1.  
 The broken lines showing the structural reinforcement ribs on the bottom surface of the cat litter pan form no part of the claimed design.

**1 Claim, 4 Drawing Sheets**



# US D636,950 S

Page 2

---

## U.S. PATENT DOCUMENTS

D534,695 S	1/2007	Van Skiver			
7,380,519 B2	6/2008	Ikegami et al.			
D579,158 S	10/2008	Gillis et al.			
D605,369 S *	12/2009	Petersen .....	D30/161		
D608,959 S	1/2010	Kim			
				D612,113 S *	3/2010 Petersen .....
				2003/0188690 A1	10/2003 Zabik
				2007/0277740 A1	12/2007 Delman et al.
				2009/0000558 A1	1/2009 Matsuo et al.

\* cited by examiner

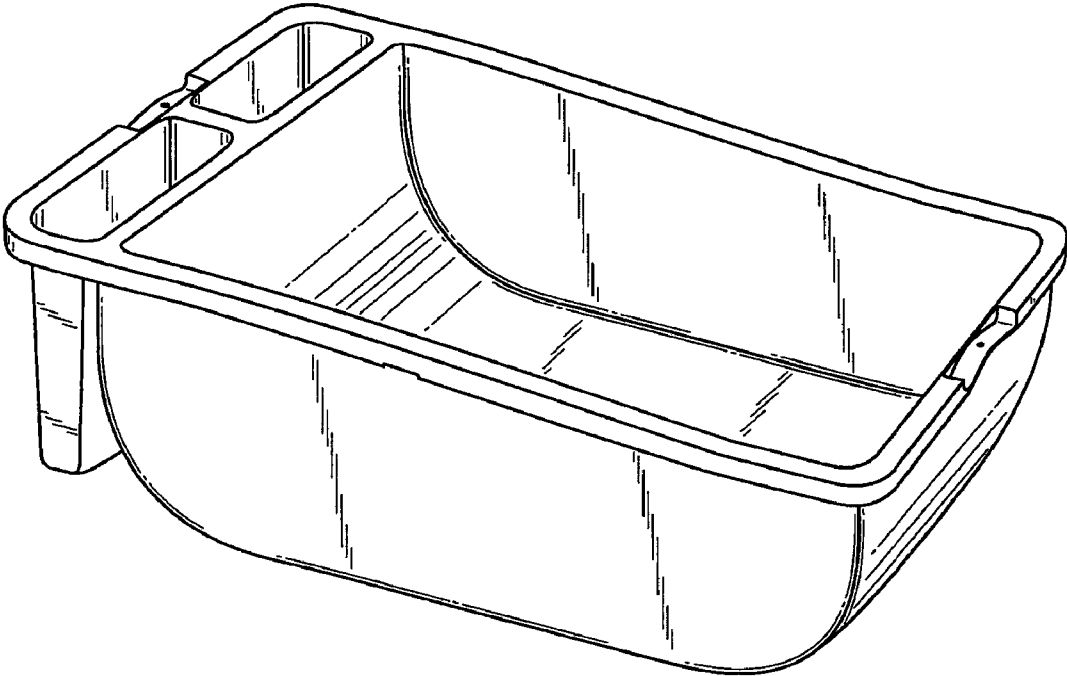
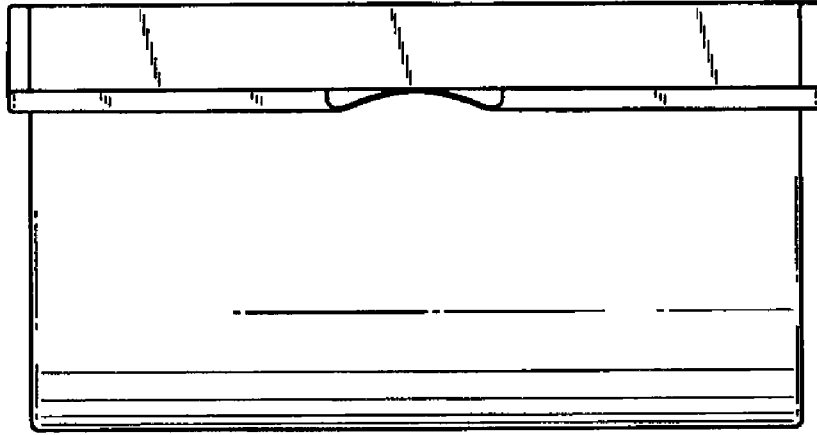
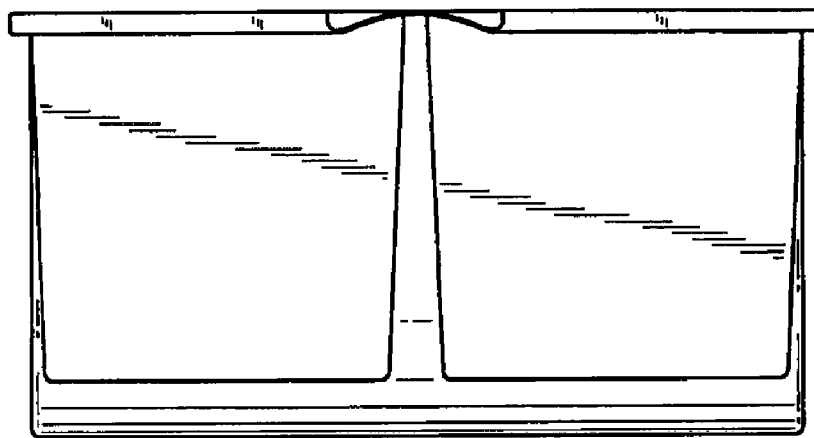


Fig. 1



**Fig. 2**



**Fig. 3**

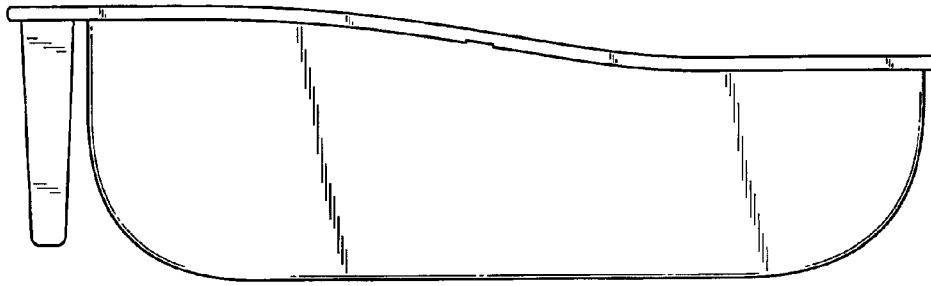


Fig. 4

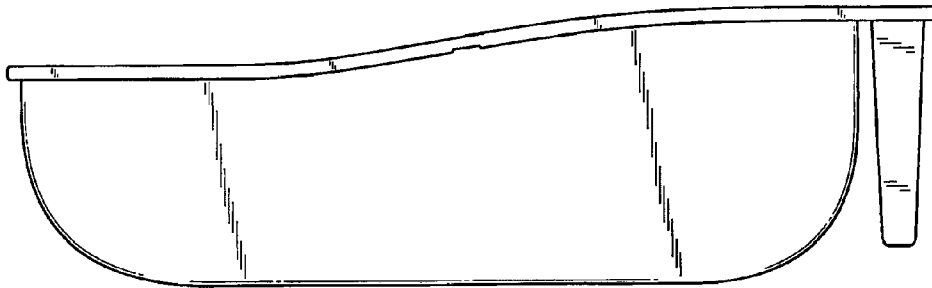
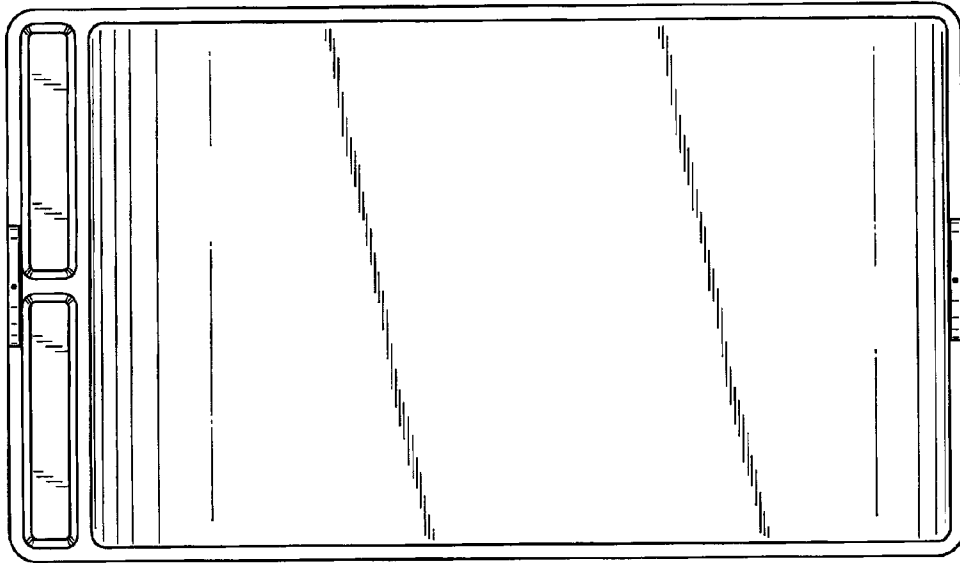
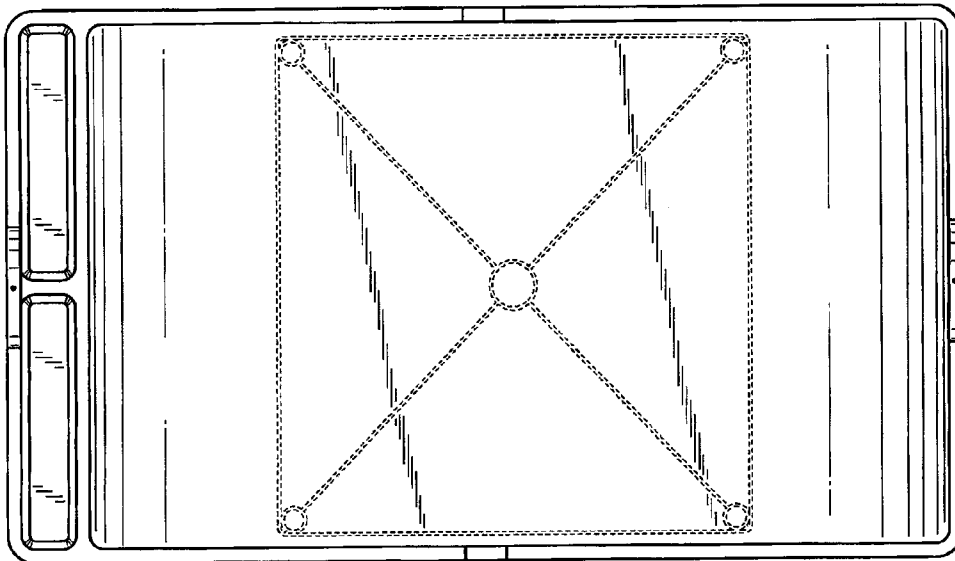


Fig. 5



**Fig. 6**



**Fig. 7**