



US0D1023675S

(12) **United States Design Patent**
Banwarth et al.

(10) **Patent No.:** **US D1,023,675 S**

(45) **Date of Patent:** **** Apr. 23, 2024**

- (54) **BOTTLE**
- (71) Applicant: **Stout Stuff, LLC**, Bentonville, AR (US)
- (72) Inventors: **Hunter Banwarth**, Bentonville, AR (US); **Doug Younger**, Bentonville, AR (US); **Chris Bodine**, Bentonville, AR (US); **John Jenkins**, Bentonville, AR (US)
- (73) Assignee: **Stout Stuff, LLC**, Bentonville, AR (US)

D358,993 S *	6/1995	Hot	D9/570
D416,801 S	11/1999	Macauley et al.	
D419,455 S	1/2000	Macauley et al.	
D421,721 S	3/2000	Guertin	
D446,726 S	8/2001	Hall et al.	
D454,308 S *	3/2002	Scheida	D9/523
D456,268 S	4/2002	Hague et al.	
6,386,392 B1	5/2002	Argentieri et al.	
D467,809 S	12/2002	Pouillot et al.	
D484,804 S *	1/2004	Pouillot	D9/453
D485,186 S *	1/2004	Wiper	D9/563
D501,637 S	2/2005	Ferguson et al.	
D508,407 S	8/2005	Busch et al.	
D510,870 S	10/2005	Kelly et al.	

(Continued)

(**) Term: **15 Years**

OTHER PUBLICATIONS

(21) Appl. No.: **29/788,904**

Georg Jensen Drinking Bottle, available Apr. 12, 2022, [online], [site visited Jul. 10, 2023]. Available from internet, URL: <https://a.co/d/304UroE> (Year: 2022).*

(22) Filed: **Aug. 11, 2021**

(51) **LOC (14) Cl.** **07-01**

(52) **U.S. Cl.**
USPC **D7/509; D9/522; D9/523**

(58) **Field of Classification Search**
USPC D9/523, 530, 531, 558, 574, 529, 522,
D9/549, 550, 575, 543, 434, 563, 499,
D9/520; D7/509, 510; D3/202
CPC B65D 21/0231; B65D 1/0246; B65D
2501/0081

See application file for complete search history.

Primary Examiner — W. A. Teddy Falloway
Assistant Examiner — Amanda Kay Birdwell
(74) *Attorney, Agent, or Firm* — Todd R. Fronek; Larkin Hoffman Daly & Lindgren, Ltd.

(57) **CLAIM**

The ornamental design for a bottle, as shown and described.

DESCRIPTION

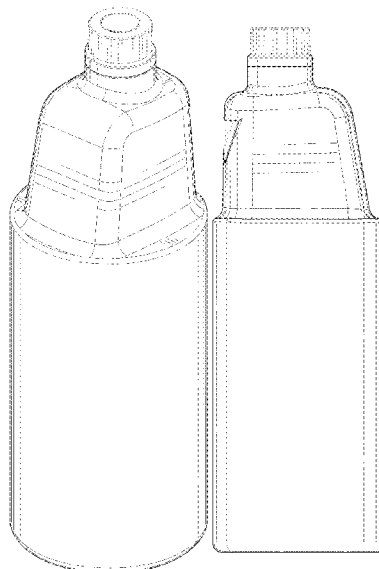
(56) **References Cited**

U.S. PATENT DOCUMENTS

D264,811 S	6/1982	Weckman	
D267,631 S *	1/1983	Beechuk	D9/523
D313,178 S *	12/1990	Guislain	D9/543
D314,703 S *	2/1991	Segati	D9/543
D320,345 S *	10/1991	Hamly	D9/523
D321,321 S	11/1991	Wilgus	
D323,781 S *	2/1992	Hamly	D9/523
D338,406 S *	8/1993	Bennebroek	D9/523
D356,504 S *	3/1995	Saltz	D9/523

FIG. 1 is a perspective view of a bottle of the present design.
FIG. 2 is a front view thereof;
FIG. 3 is a rear view thereof;
FIG. 4 is a left side view thereof;
FIG. 5 is a right side view thereof;
FIG. 6 is a top view thereof; and,
FIG. 7 is a bottom view thereof.
The broken lines shown in the drawings illustrate portions of the bottle that form no part of the claimed design.

1 Claim, 7 Drawing Sheets



(56)

References Cited

U.S. PATENT DOCUMENTS

D543,852 S	6/2007	Warren	
D571,216 S	6/2008	Christian et al.	
D592,514 S	5/2009	Schwartz et al.	
D600,564 S *	9/2009	da Barp	D9/523
D604,616 S *	11/2009	Farrell	D9/523
D612,244 S *	3/2010	Farrell	D9/523
D642,473 S *	8/2011	Vanhooland	D9/523
D732,962 S *	6/2015	Hawry	D9/523
D778,163 S *	2/2017	Dilley	D9/563
D784,817 S *	4/2017	Heisner	D9/570
D788,588 S *	6/2017	Heisner	D9/566
D799,971 S *	10/2017	Garcia	D9/523
D813,042 S *	3/2018	Howell	D9/523
D911,846 S *	3/2021	Van Den Heijkant	D9/523
D911,847 S *	3/2021	Castro-Flores	D9/543
D919,435 S *	5/2021	Currie	D9/569

* cited by examiner

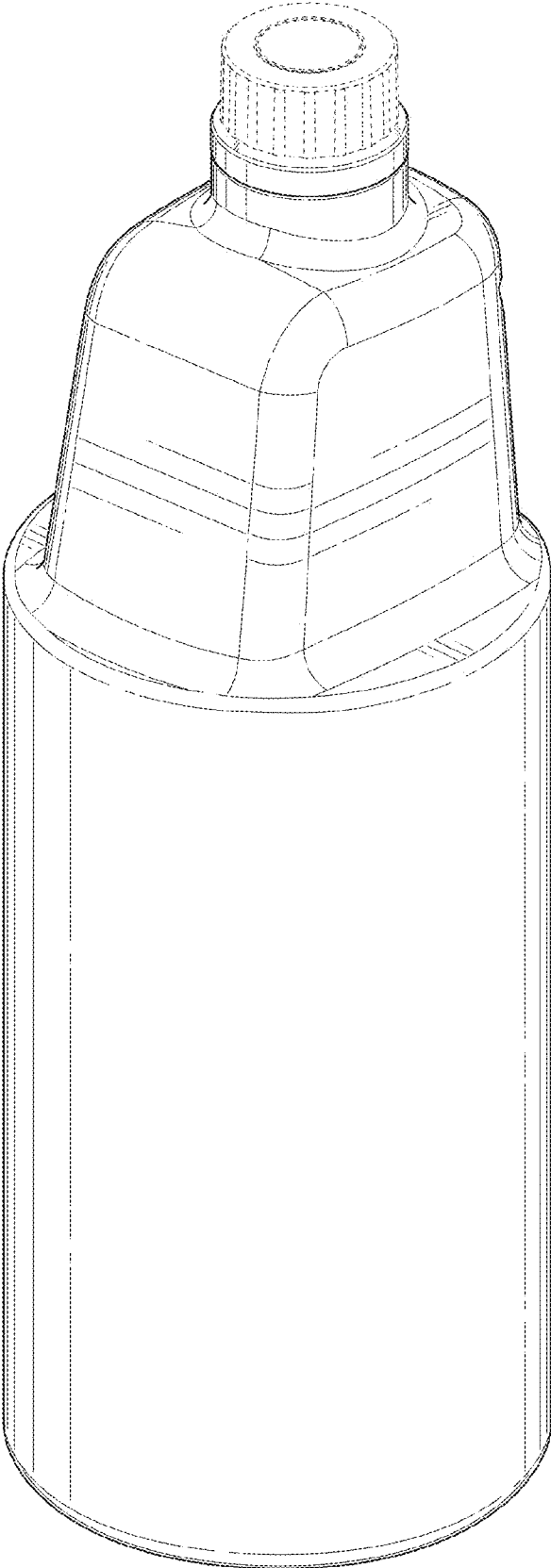


FIG. 1

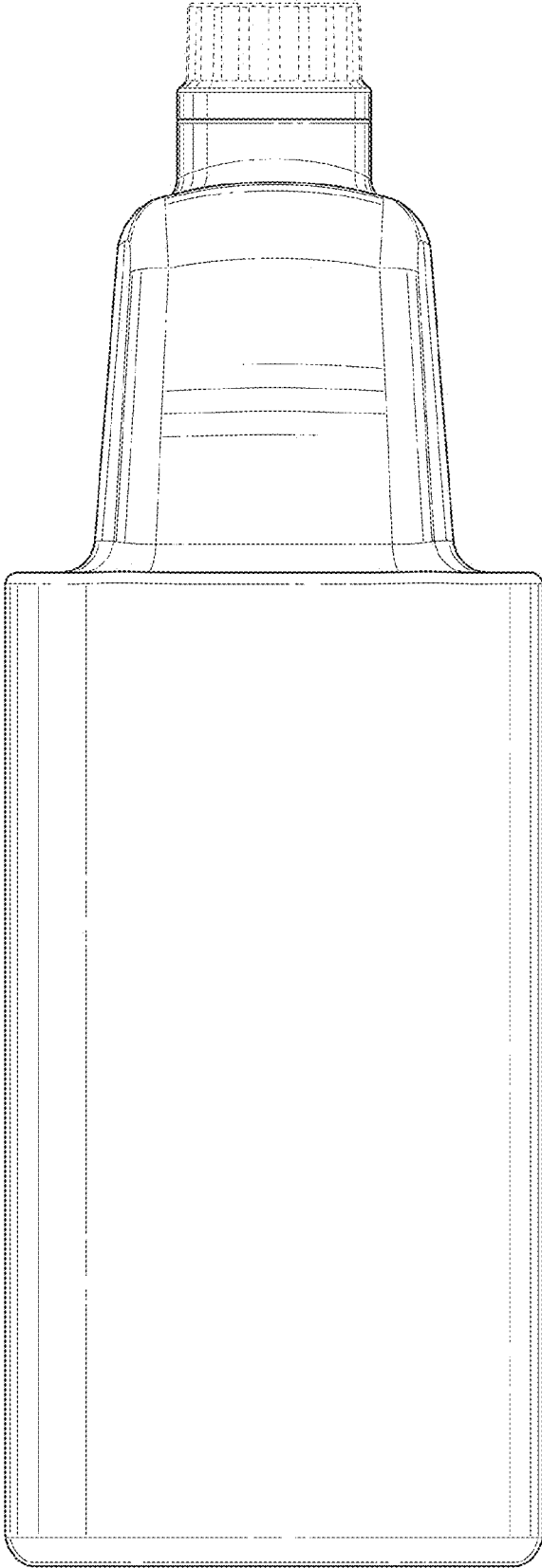


FIG. 2

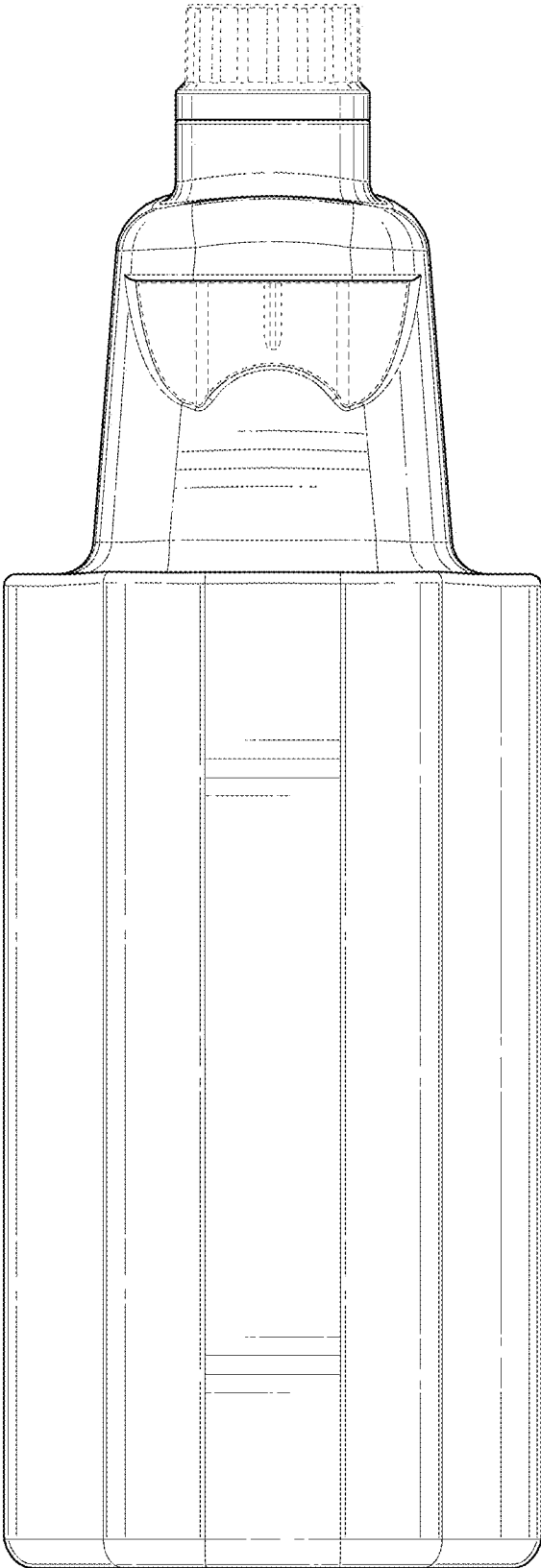


FIG. 3

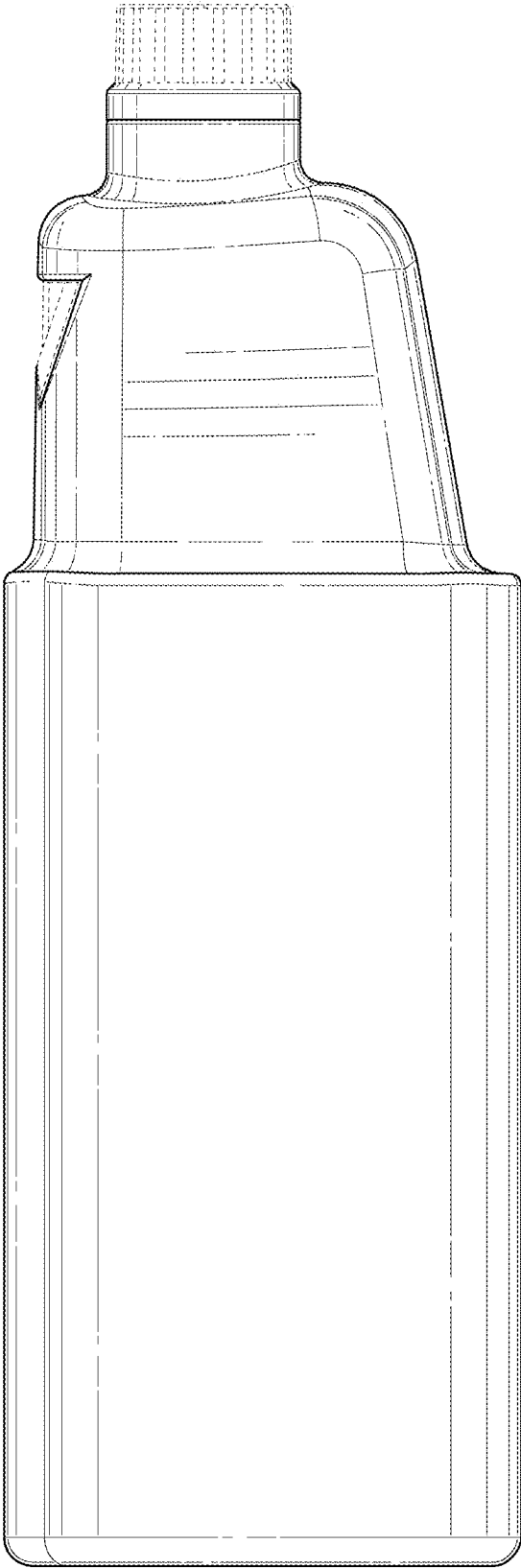


FIG. 4

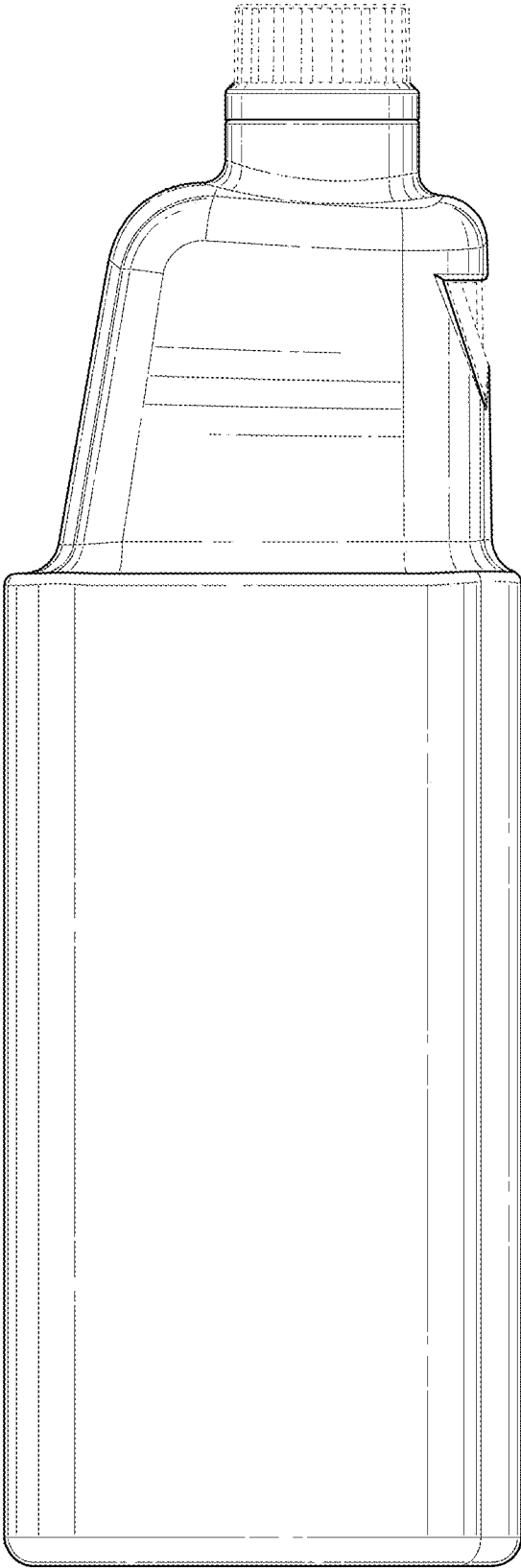


FIG. 5

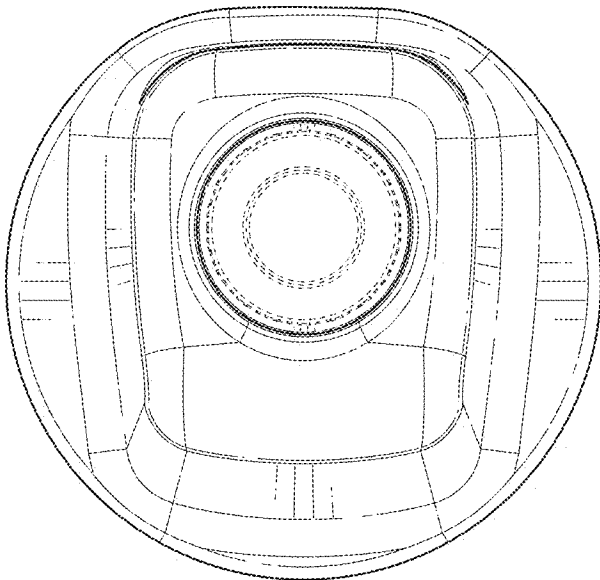


FIG. 6

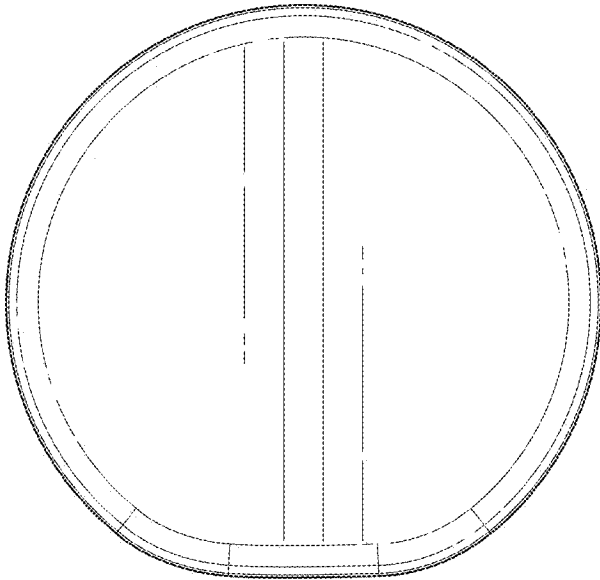


FIG. 7